

Wood Fence Brace/Corner Post Guide

Minimum Post Dimension Specifications

Post Dimensions 5" OD minimum Hole Depth Min 3 ½ ft.

Horizontal Brace: **min. 7 ft. Long, Height min. 36" from ground**

Pipe 1 ½ Dia. Angle Iron 2 ½ x 2 ½ x ¼ Weight per ASTM A 120

Wood 3" OD minimum diameter

Diagonal Tension Wire Specifications

2 Complete Loops of Standard Double Strand Barbed Wire 12 ½ gauge or 9 Gauge Smooth wire

Coating Galvanized Class 1 per ASTM A 121

Breaking Strength ASTM A 121

Barbed Wire Specifications

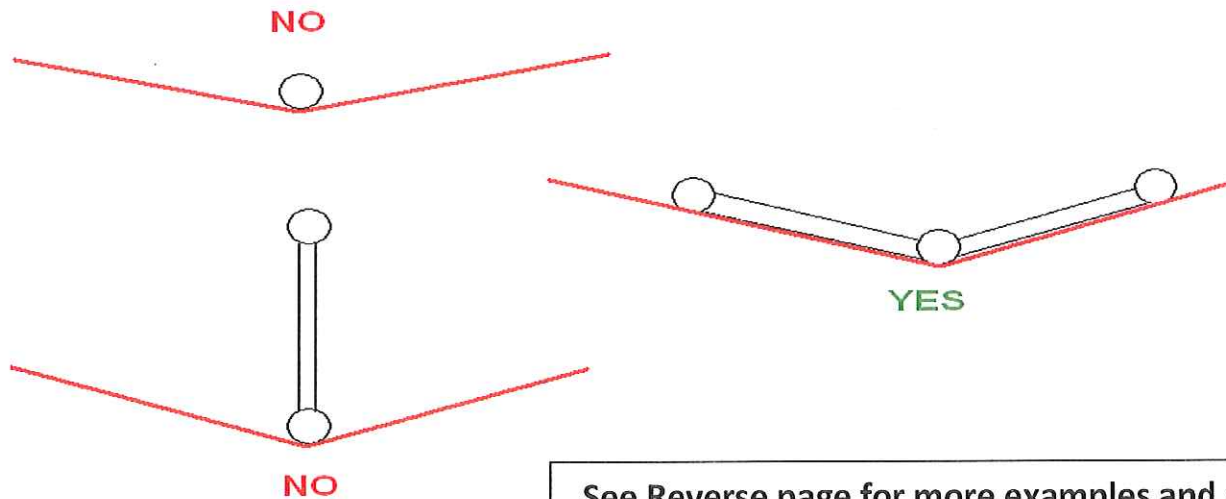
Standard Double Strand Barbed Wire 12 ½ gauge

Coating Galvanized Class 1 per ASTM A 121

Breaking Strength ASTM A 121

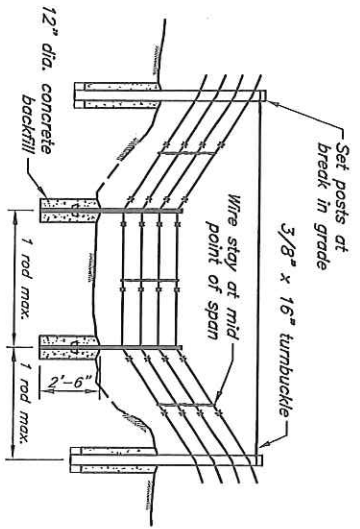
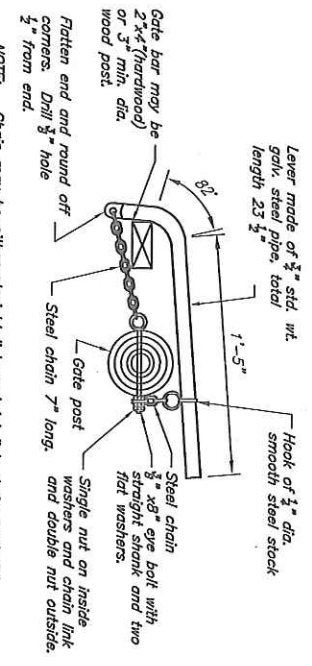
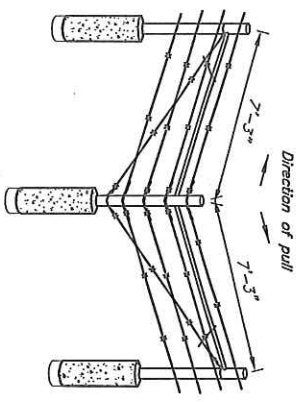
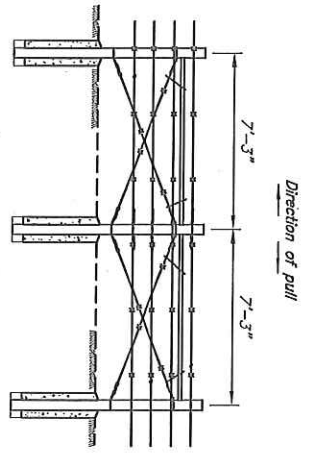
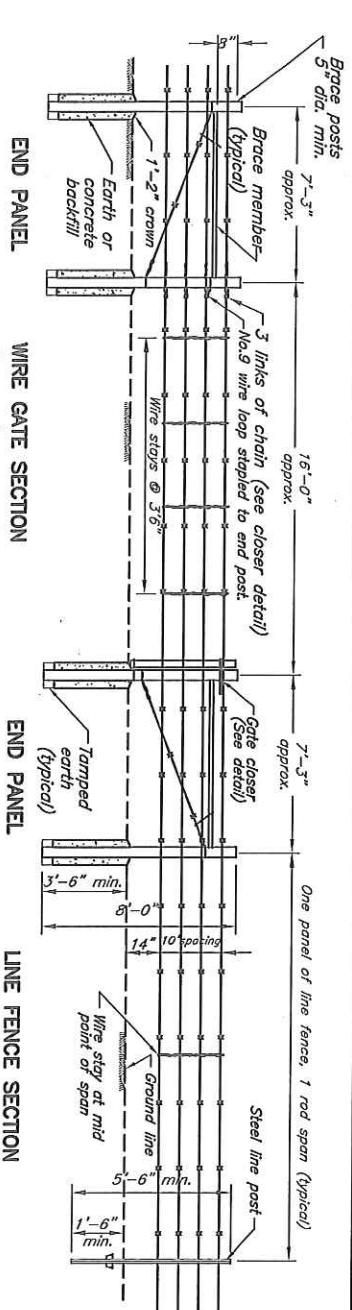
3-Post Corner and 3 Post In-Line Brace Assemblies

Needed for change in angle greater than 15 degrees and stretches greater than 1320'

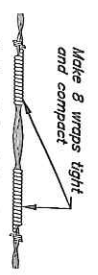


See Reverse page for more examples and specs

The U.S. Department of Agriculture (USDA) prohibits discrimination against its customers, employees, and applicants for employment on the bases of race, color, national origin, age, disability, sex, gender identity, religion, reprisal, and where applicable, political beliefs, marital status, familial or parental status, sexual orientation, or all or part of an individual's income is derived from any public assistance program, or protected genetic information in employment or in any program or activity conducted or funded by the Department.



- NOTES:**
1. Anchor steel brace to wood posts by inserting 3/8" diameter steel rod (6 inches long) 2 inches into wood posts drilled as close to the rod diameter as possible.
 2. Staple cross-brace wires to wood posts at quarter points.
 3. Twist cross-brace wires with a 1/2" galvanized steel rod until the assembly is rigid. Leave the rod in position wedged against the pipe brace.
 4. Barbed wire shall consist of two strands of 12 1/2 gauge, class 1 galvanized wire with 14 gauge barbs. Barbs may be 2-point spaced at 4" or 4-point spaced at 5".
 5. Brace member to be a single piece of 1 1/2" standard weight galvanized steel pipe. (A.S.T.M. A-120) or 3" wood post or 2 1/2 x 2 1/2 x 1/4" angle iron.
 6. Minimum wood post diameter shall be 5 inches.
 7. When barbed wire from two different directions are tied to a single post keep loops separated.
 8. Minimum setting depth of steel pipe post is dependent on soils.



STANDARD LIVESTOCK FENCE
 (Barbed Wire)

File Name		Date	
Drawing Name		Designed	
Sheet of		Drawn	
		Checked	
		Approved	

